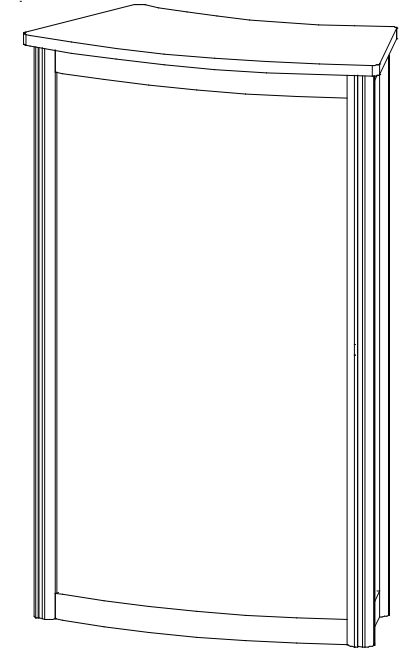
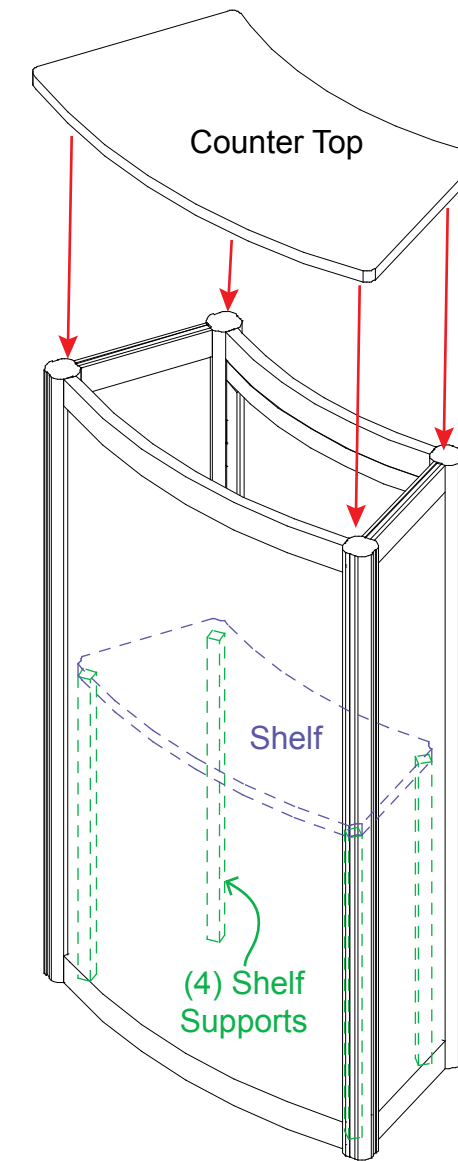
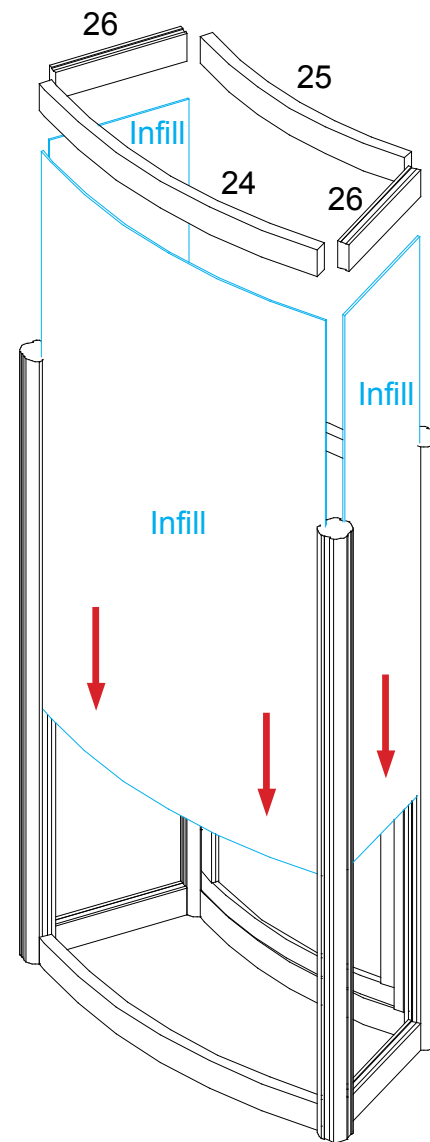
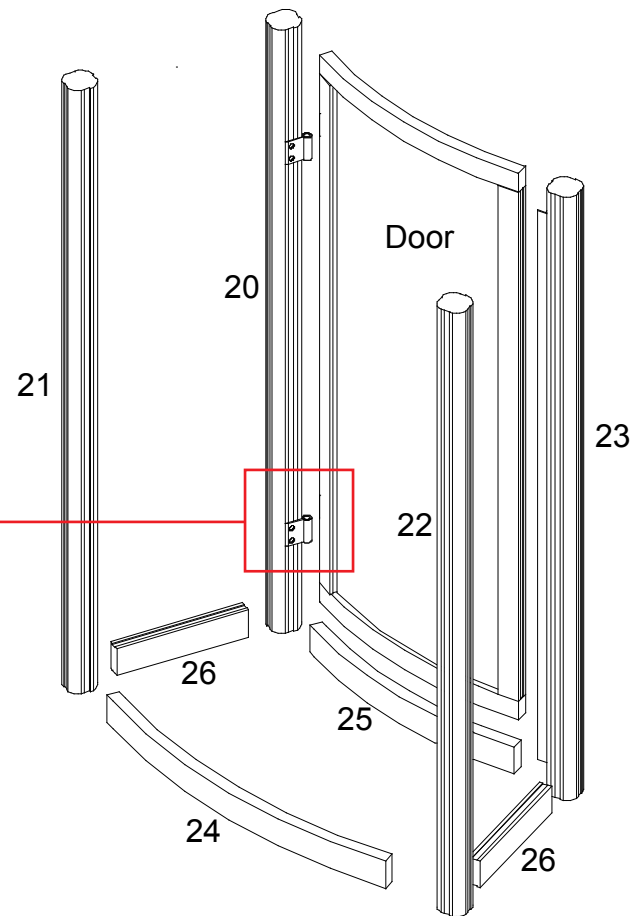
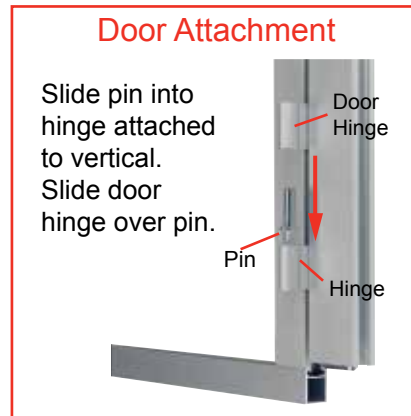


## Order #XXXXX - ECO-20C Sustainable Counter / Podium

Item	Qty	Description
20	1	40" RSG 540 Vertical Extrusion w/Door Hinges
21	1	40" RSG 540 Vertical Extrusion
22	1	40" RSG 540 Vertical Extrusion
23	1	40" RSG 540 Vertical Extrusion w/Door Stop
24	2	22" Z45 Curved Horizontal Extrusion
25	2	16.125" Z45 Curved Horizontal Extrusion
26	4	8" Z45 Horizontal Extrusion

### Steps:

- 1) Attach lower horizontal extrusions [24,25 & 26] between vertical extrusions [20,21,22 & 23].
- 2) Attach door to hinges on vertical extrusion [20] as shown in detail.
- 3) Slide infills between verticals into place as shown.
- 4) Attach upper horizontal extrusions [24,25 & 26] between vertical extrusions [20,21,22 & 23].
- 5) Velcro shelf supports to inside of assembled base as shown.
- 6) Place shelf on top of shelf supports and counter top on top of assembled pedestal.



## General Setup Instructions

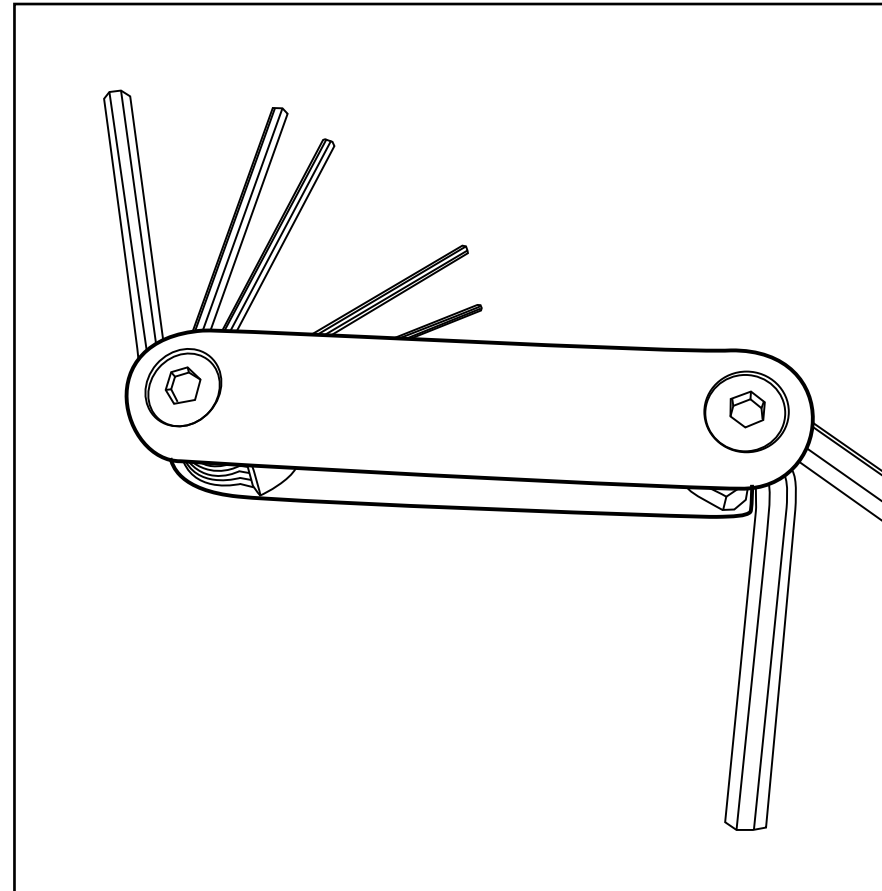
- The setup instructions are created specifically for your configuration.
- Setup instructions are laid out sequentially in levels, including exploded views and a logical series of steps for assembly. We encourage you to study the instructions before attempting to assemble your exhibit.

## Cleaning and Packing

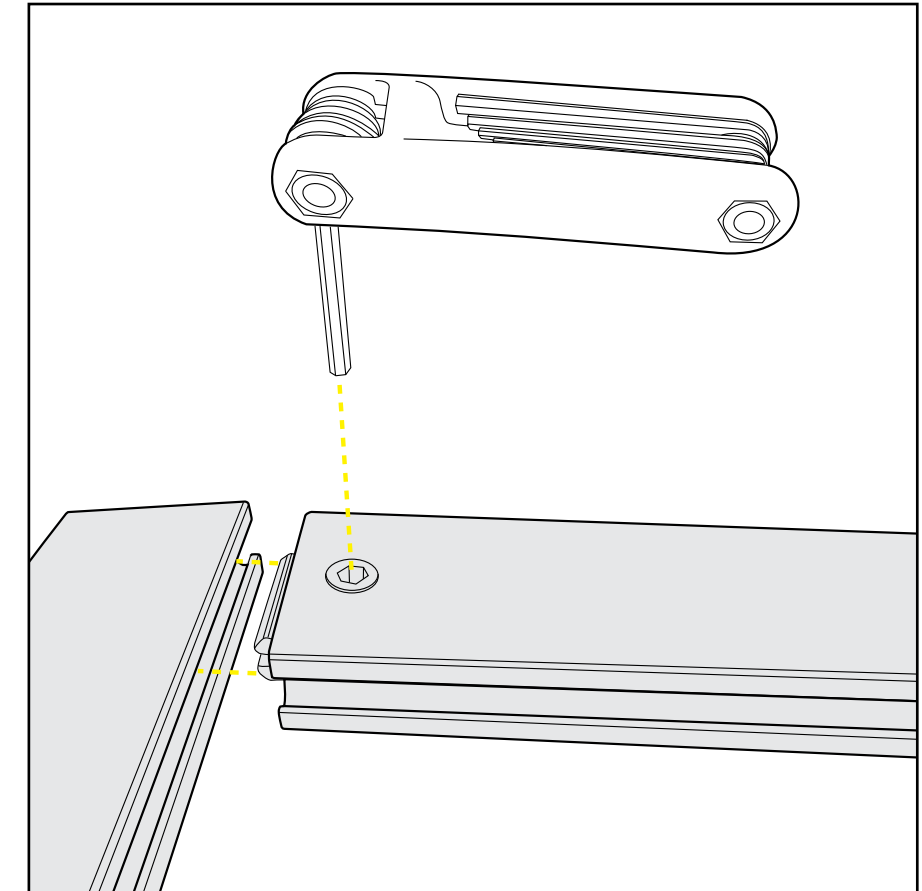
- Use non-abrasive cleaners when cleaning extrusions or ECO Glass inserts.
- Use mild cleaners and soft materials such as cotton to clean all laminates.
- Keep exhibit components away from extreme heat and long exposure to sun light. This will prevent warping and fading.
- Retain all packing material for ease of re-packing. This protects the exhibit components and keeps each part organized.

## Disassembling

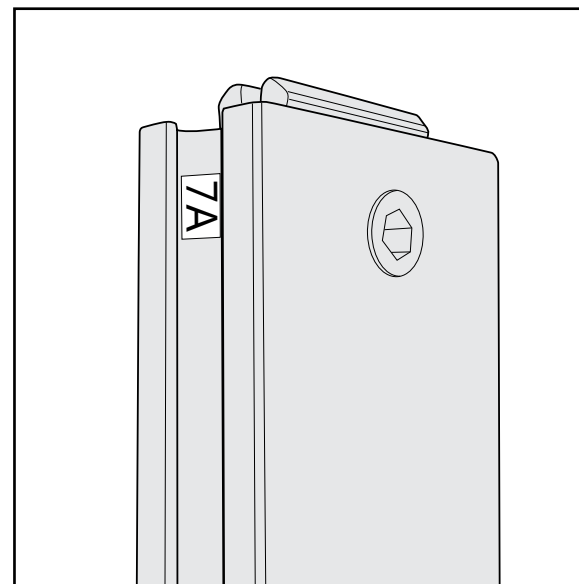
- When disassembling exhibit, tighten all setscrews to prevent loss of hardware in the shipping process.



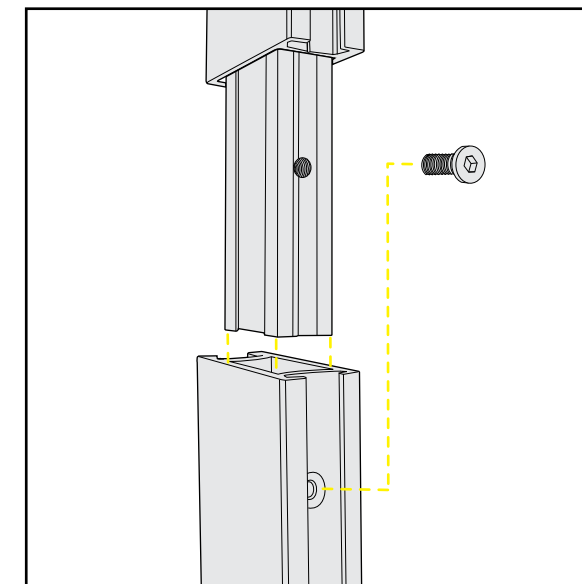
Hex Tool for Assembling Exhibit



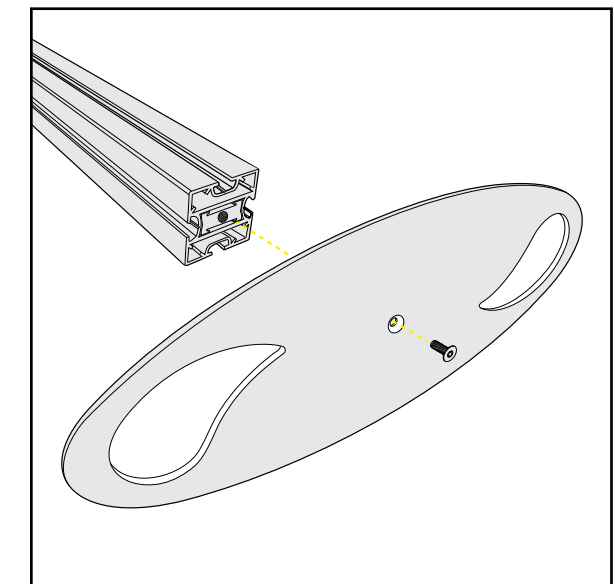
Extrusion Lock Connectors



Numbering Instructions for Setups/Packing

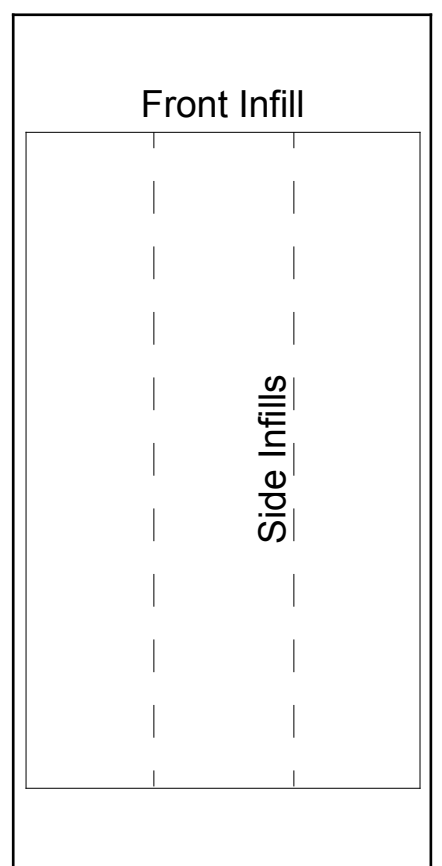


Inline Connection between Extrusions

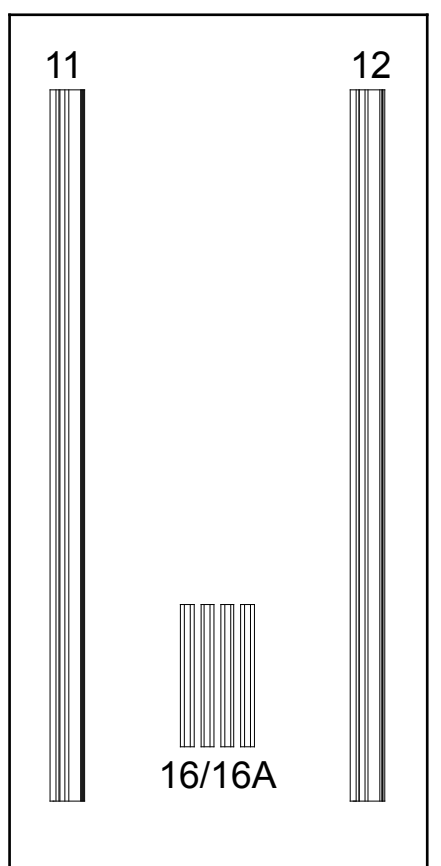


Baseplate Connection for Vertical Extrusions

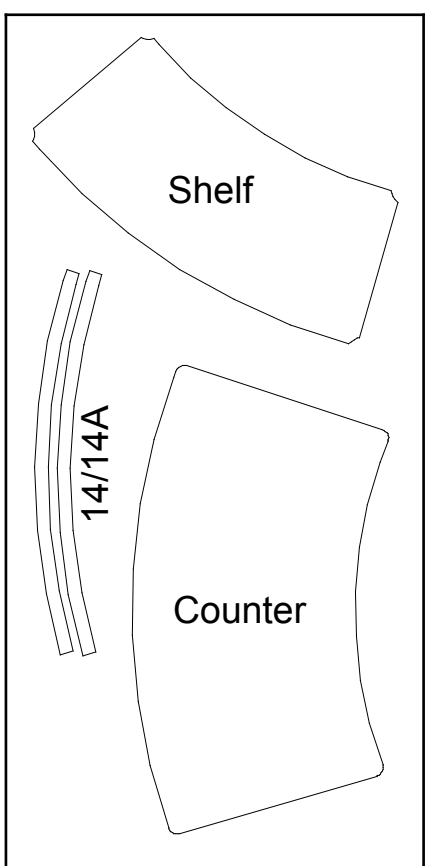
### Top View of Each Level



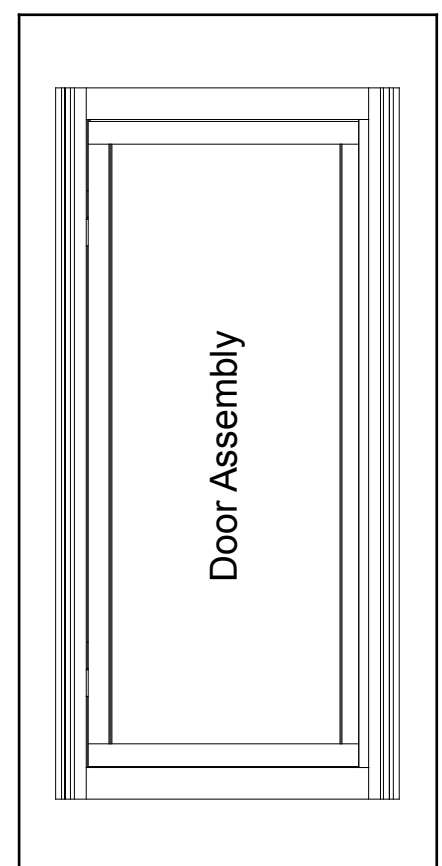
Level 1



Level 2



Level 3



Level 4

Setup Hardware